



Brick Soffit Kit

Installation Instructions

- 1. CHECK FOR CORRECT KIT:** Each kit is made to fit the window described on the side of the box. It is unlikely to fit any other model of window. If you don't have the correct kit, call your dealer before going any further.
Each kit is also made to fit a particular style of **DECO-ROOF**. The style for which the kit is designed is also indicated on the side of the box (**CLASSIC**, **CONTEMPO**, or **CAPRI**.) The counter-flashings in the kit will only fit that style of roof.
- 2. GET YOUR TOOLS READY:** You will need an electric drill with a 3/32" bit, a #2 Phillips screwdriver, and a sharp knife or a pair of scissors.
- 3. INSTALL THE INSULATING STRIP:** Included in the kit is a roll of peel-and-stick closed-cell vinyl insulating tape. Mount this tape on the outside perimeter of the window top, flush with the outer edge [see **FIGURE 1**].
If the window is clad, the outside edge of the tape will be flush with the outer edge of the cladding. If a top brick mold is used, the outside edge of the tape will be flush with the top outer edge of the brick mold.
Some tape will be left over. Save it for Step 6.
- 4. ASSEMBLE THE SOFFIT PIECES:** Lay out the soffit pieces, metal-clad side down, as they are numbered. Don't join them together yet. Insert the cam-locks into their holes, making sure that the arrows are lined up with the connecting-bolt entry holes [see **FIGURE 2**].

For each pair of panels, insert a connecting-bolt into one panel and lock it into place with that panel's cam-lock. Inset the two dowels, as well.
Now, join the panels together hand-tight, sliding the dowels into their matching holes and the connecting-bolt into its matching hole. If the second cam-lock is lined up properly, the joint should be fairly snug. If the connecting-bolt doesn't seem to want to go full-length, jiggle the second cam-lock until the bolt seats properly.
- 5. TEST FIT THE SOFFIT:** Place the assembled soffit on top of the bay or bow window, with the clad side down. The soffit should fit snugly in front of the head-board. The notches in the flanker pieces should fit snugly up against the face of the brick on either side of the window [see **FIGURE 1**].

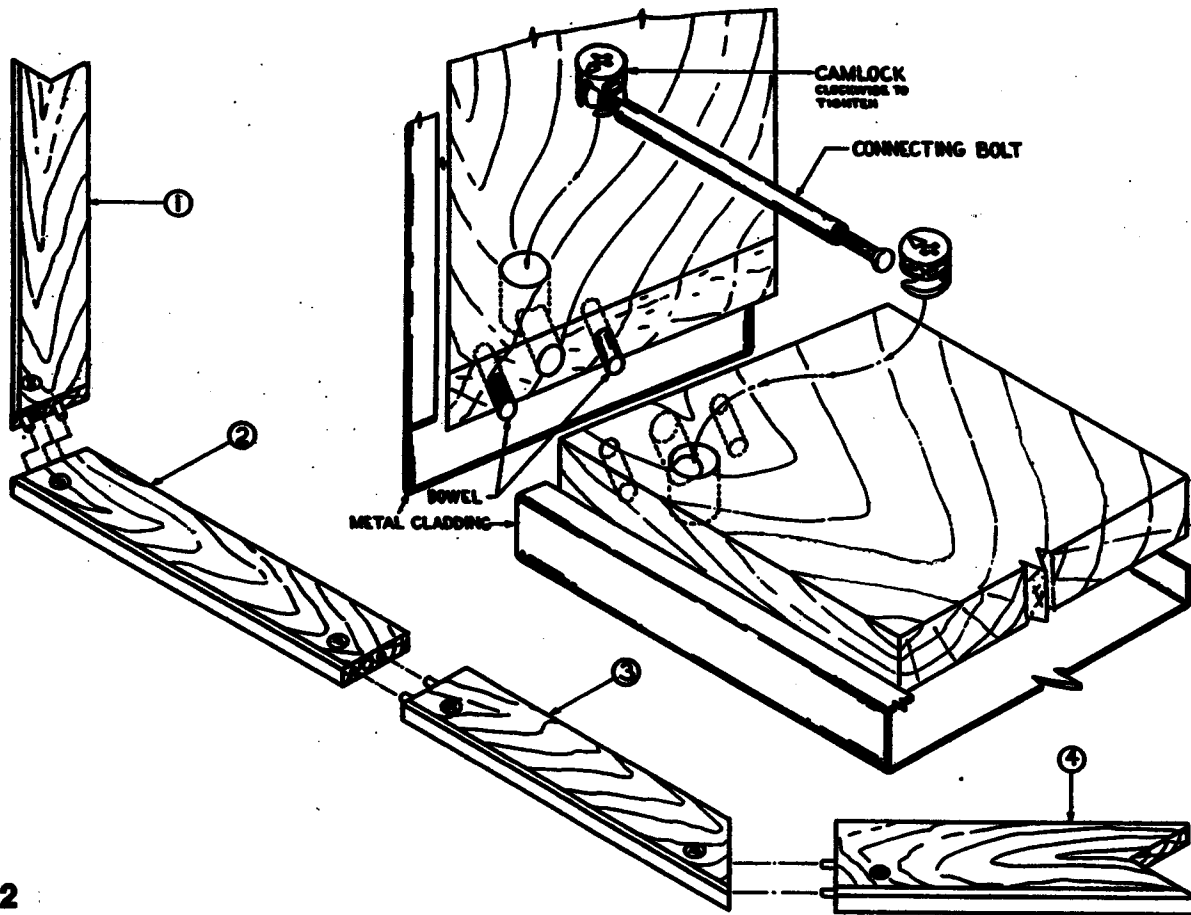


FIGURE 2

The kit is pre-set to fit brickwork applications where the depth of the brickwork (face of brick back to face of sheathing) is exactly 4 ¼". When the brickwork allowance is 4 ¼", the soffit extends back from the window edge towards the headboard for about one inch [see **FIGURE 1**].

On deeper brickwork, the soffit will overlap the window by less than that amount. The amount of overlap necessary for a proper installation varies from one window to another. There should be enough solid window frame under the overlap to take a screw tightly in Step 7 [see **FIGURE 1**].

On shallower brickwork, the soffit may jam up against the headboard before the notch comes up against the face of the masonry. If that happens, the back edges of the soffit pieces will have to be trimmed. To do this, disassemble the soffit and trim the necessary amount from the **BACK** edge of each piece using a circular saw. The blade should rotate from the metal cladding to the wood.

In this trimming process, the back flange of the metal cladding will be removed. You must then coat the raw wooden edge with some sort of sealant to give it the protection it now lacks.

6. **SEAL JOINTS AND BRICK NOTCHES:** Once the soffit has been properly fitted, disassemble it. Then, thoroughly seal the ends of the panels where they join together, using the silicone provided. Re-assemble the soffit. Finally, seal the two flanker notches with silicone, and proceed to the next step. These steps should protect the plywood against moisture for years to come.

NOTE - Once the soffit is installed, but before the roof is applied, you might want to use up the remaining silicone by thoroughly caulking the notches where the soffit joins to the brick or masonry.

- 7. ATTACH THE SOFFIT TO THE WINDOW TOP:** Remove the protective polyethylene from that part of the soffit that will mount above the window (the back part). Mount the assembled soffit to the top of the window, with the notches snugly sandwiching the tape to the masonry.

Pre-drill the screw holes, and attach the soffit to the headboard with the braces provided. Use only **ONE** screw at each end of each brace at this time. If the headboard and the soffit are not level with each other, the lower of the two pieces will have to be shimmed so that the braces are horizontal and snug [see **FIGURE 1**].

Make any final adjustments to the positioning of the soffit, and then attach each brace to the soffit and headboard with the remaining two screws. Finally, carefully pre-drill the soffit into the window frame and screw the two together [see **FIGURE 1**].

- 8.** Remove the protective polyethylene sheeting from the rest of the soffit. Please keep in mind that the copper is now unprotected against marring and staining. Be especially careful not to touch the copper with bare fingers. Use clean cotton gloves if the bare copper must be handled.
- 9.** You will find the vinyl mounting strips already attached to the soffit kit. Attach the ***DECO-ROOF*** to the vinyl mounting strip following the instructions provided with the roof.

Please call us at **1-800-326-5355** if you have any problems.

Copper Clad Brick Soffit Kit

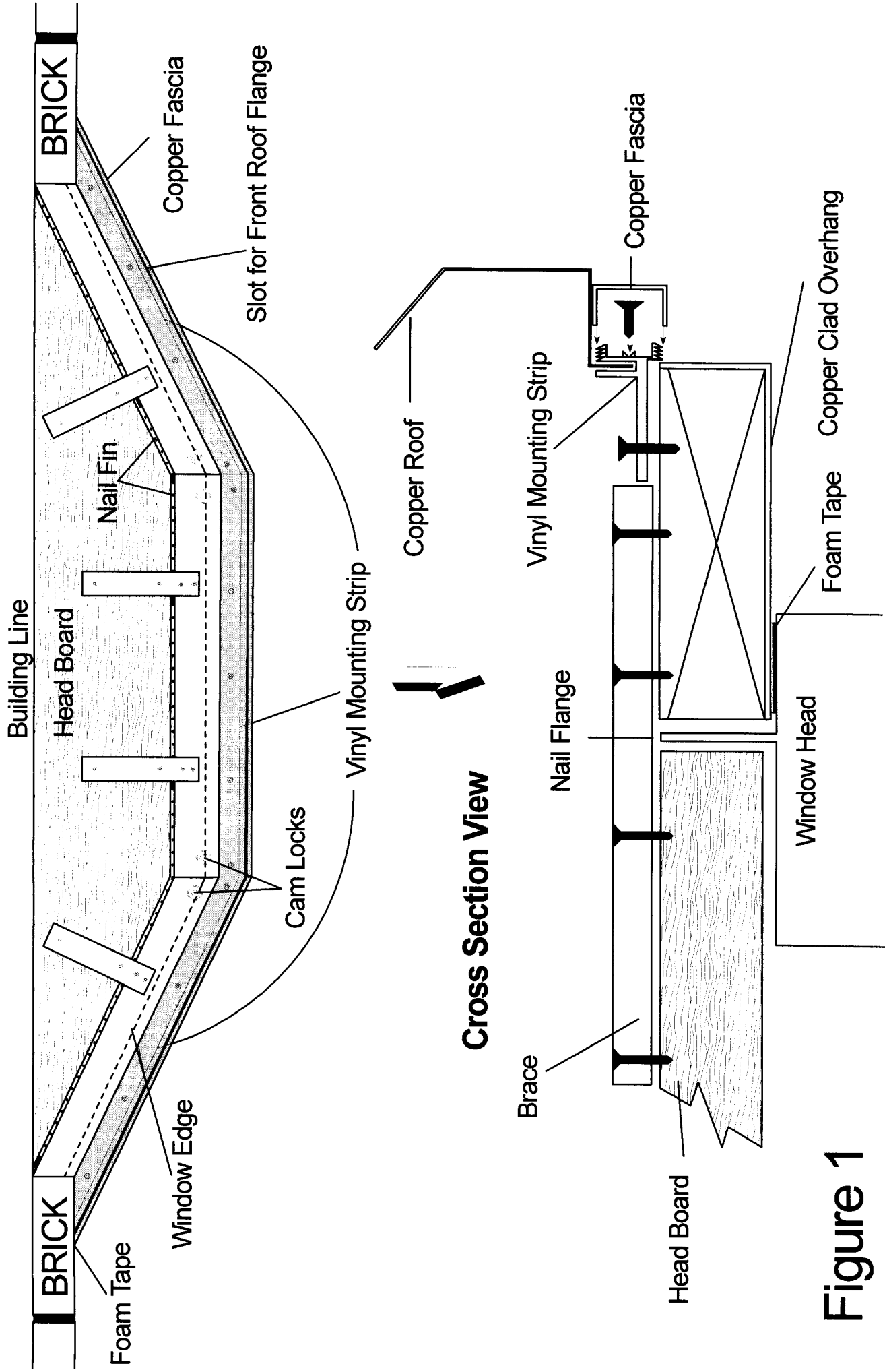


Figure 1